

GESSI

VENTI20 60634

MISCELATORE LAVELLO MONOCOMANDO SEMIPRO DA PIANO

Formato **A4**



Dis.: GPF6063400000G000

Gessi S.p.A. Parco Gessi, 13037 Serravalle Sesia (Vercelli) Italy Tel. 0039 0163 454111 Fax. 0039 0163 453150 www.gessi.com e-mail: gessi@gessi.it

This drawing by its legislation cannot be disclosed or reproduced without a written authorization released by GESSI S.p.A. - 2022 Copyright® GESSI S.p.A.

Semi-Professional sink mixer swivel spout with extractible one jet handshower

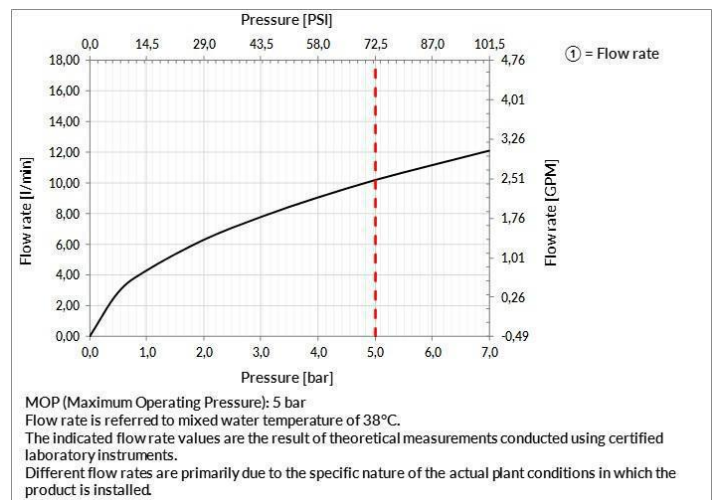
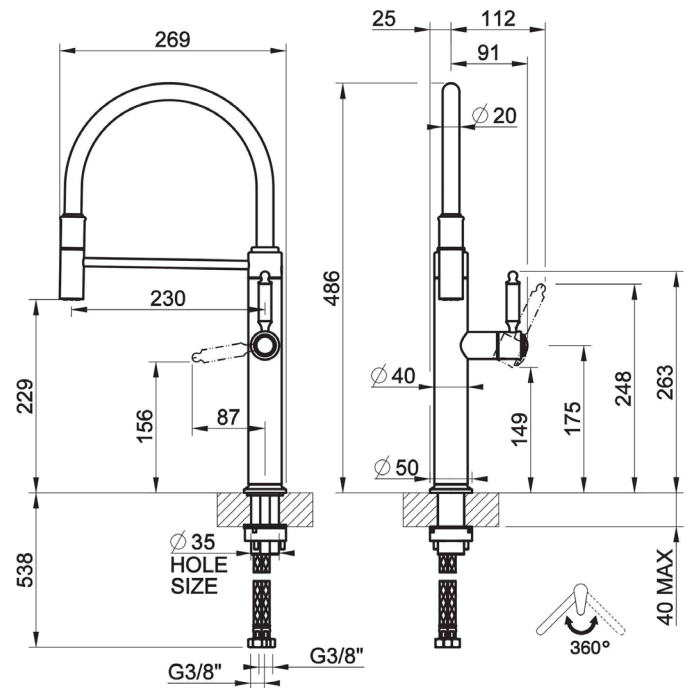
TECHNICAL FEATURES

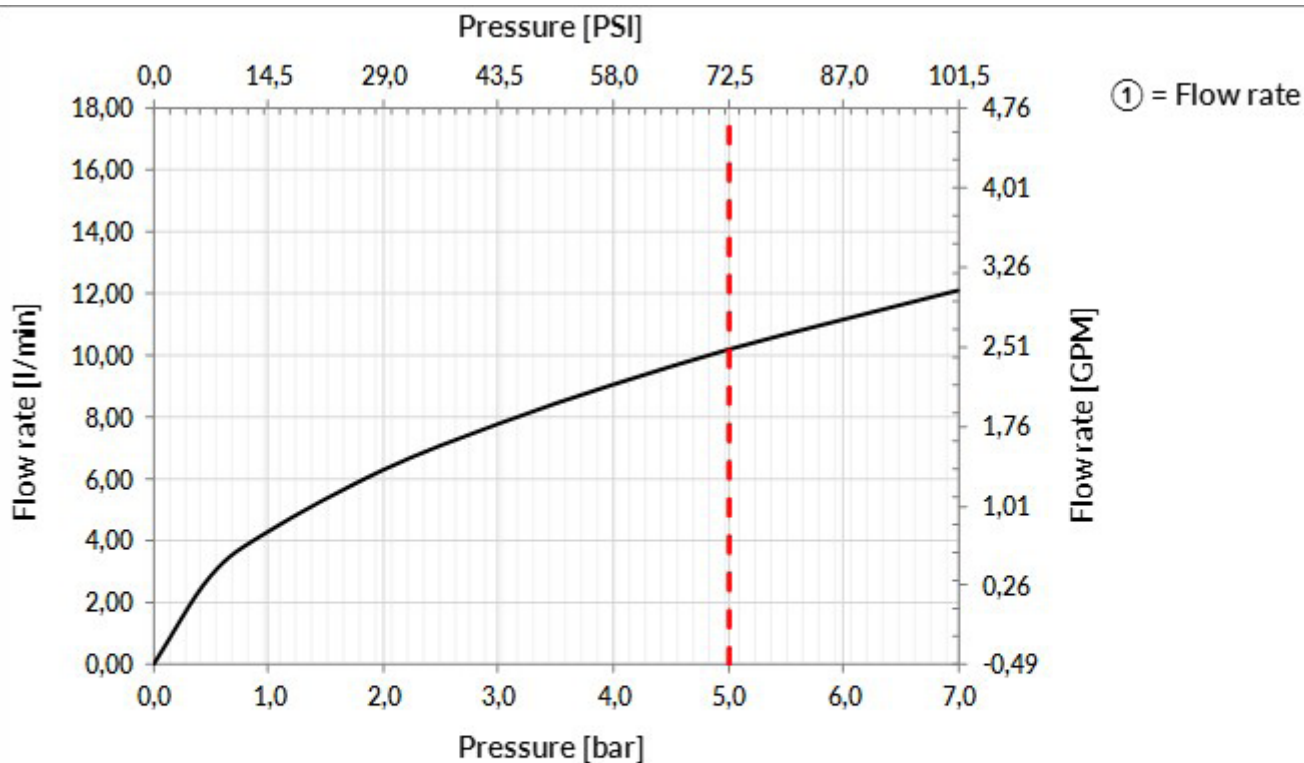
- **Drive:** Single lever
- **Presence of water supply connections:** Si
- **Connection hoses:** Flexible supply hoses included
- **Water supply connections:** G3/8"
- **Height:** 486 mm
- **Width:** 116 mm
- **Depth:** 269 mm
- **Water point presence:** Yes
- **Water point height:** 229 mm
- **Water point length:** 230 mm
- **Electronics:** No
- **Customizable product:** No
- **Water mixing type:** Mechanical mixing
- **Cartridge type:** Mixer cartridge
- **Cartridge size:** 25 mm
- **Handshower presence:** Handshower included
- **Handshower type:** Single-jet
- **Handshower size:** 20 mm
- **Handshower jet type:** with AERATED jet
- **Sink mixer type:** Semiprofessional
- **Spout shape:** Semiprofessional
- **Handle lever position:** Side-Lever
- **Swivel spout presence:** With swivel spout
- **Spout rotation angle:** 360°
- **Swivel head presence:** No
- **Connection hose length:** 538 mm
- **Installation hole diameter:** 35 mm
- **Under-window installation:** No
- **Compatibility for low-pressure applications:** No
- **Easy Lock handshower presence:** No

CERTIFICATIONS

- BELGAQUA recognized
- Product with water/energy saving system in accordance with SVIZZERAENERGIA-A rules
- The main components in contact with drinking water comply with ACS requirements, UBA list, KTW BWGL
- Water tightness resistance and long term functionality in accordance with EN-817

Production managed by a certified Quality System compliant with ISO 9001:2015 For additional approved contact Gessi S.P.A.





MOP (Maximum Operating Pressure): 5 bar

Flow rate is referred to mixed water temperature of 38°C.

The indicated flow rate values are the result of theoretical measurements conducted using certified laboratory instruments.

Different flow rates are primarily due to the specific nature of the actual plant conditions in which the product is installed.