



SLIGHT

COUNTERTOP WASHBASIN

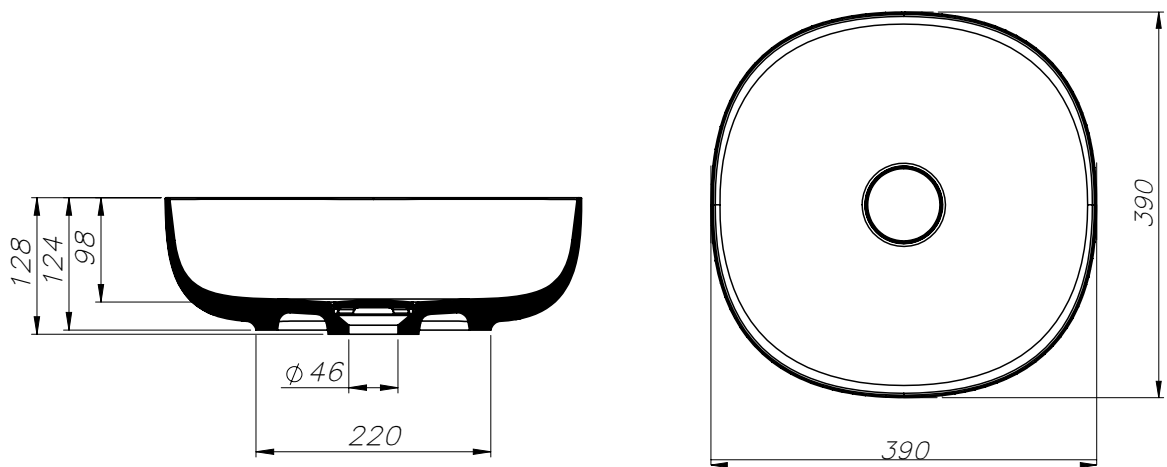
68502-301

Index: **11-685-02-0390-01**

- Recommended mounting method:
 - Countertop
- Suitable with kind of faucets:
 - Wall mounted
 - Countertop
- Without tap hole
- Without overflow
- With waste cover
- Without drain stopper assembly
- Material:
 - MULTICAST

LENGTH	WIDTH	HEIGHT
390	390	124

- Waga / Weight : 3,8 kg



Dimensions specified with tolerance:

to 700 mm (+2 -0)
from 701 to 1200 mm (+3 -0)

PRODUCT COMPATIBLE WITH:

