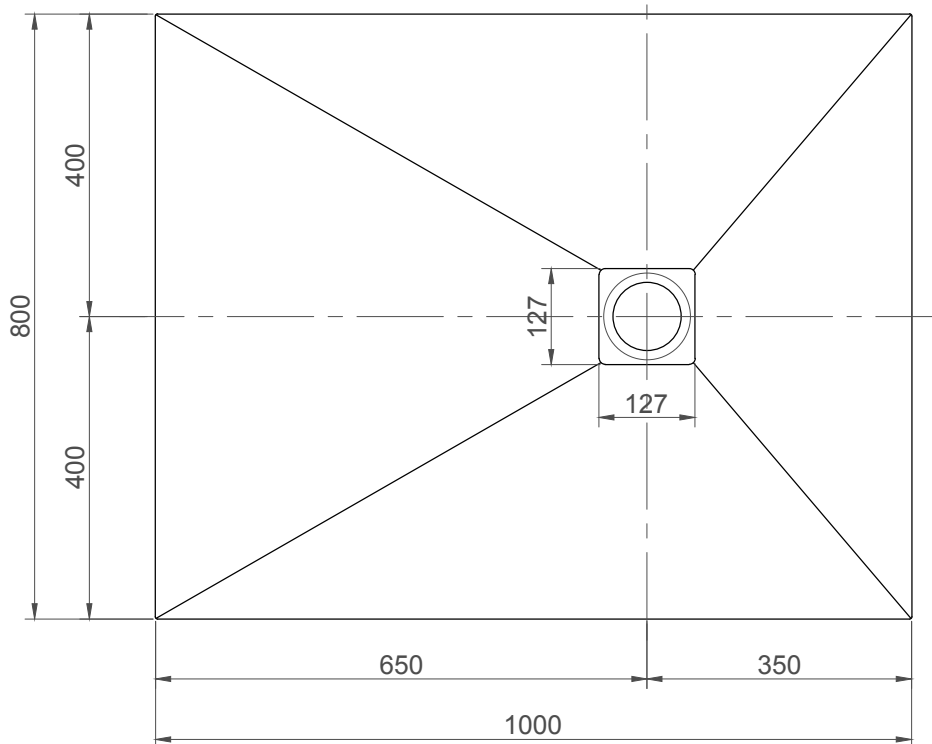
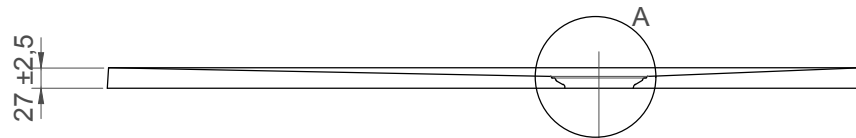
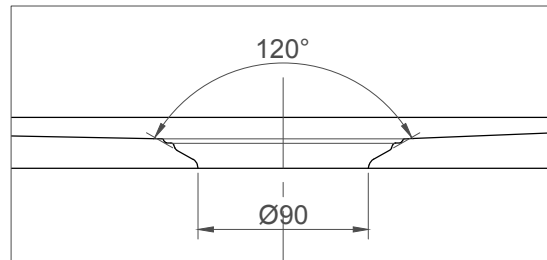


A 1:4



All drawing units are expressed in mm

Rev.	DESCRIPTION	DATE	DESIGNED	APPROVED	SURFACE STATE		
01					GENERAL		
02					T	Surface for hydraulic seal	
03					S	Surface subject to surface finish	
CODE	SCALE			DESIGNED	APPROVED	WEIGHT (kg)	Unlisted tolerance:
S10080	1:10			DATE 02/05/24	03/05/24	38	Unlisted rays R:
				SURNAME SG	LB		Unlisted chamfers:
						SCOPE	
						Production	
DESCRIPTION Shower tray / piatto doccia Tolerance / tolleranza ± 5 mm						Data sheet	
						MATERIAL	
Marble composite / composito di marmo						Tech. equipment	
						Technical specific.	