



CLIGHT

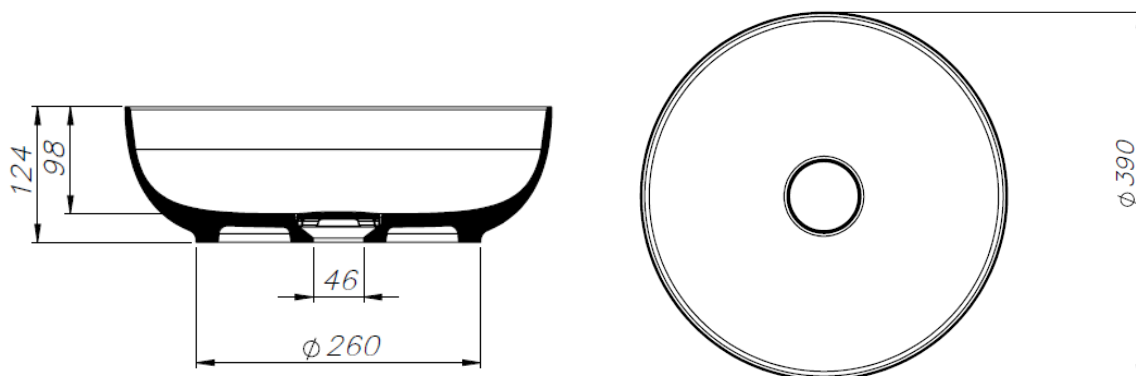
COUNTERTOP WASHBASIN 68501-301

Index: **11-685-01-0390-01**

- Recommended mounting method:
 - Countertop
- Suitable with kind of faucets:
 - Wall mounted
 - Countertop
- Without tap hole
- Without overflow
- With waste cover
- Without drain stopper assembly
- Material:
 - MULTICAST

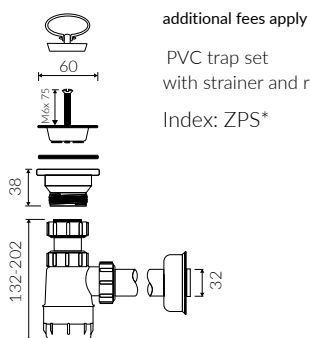
LENGTH	WIDTH	HEIGHT
390	390	124

- Weight : 3,5 kg

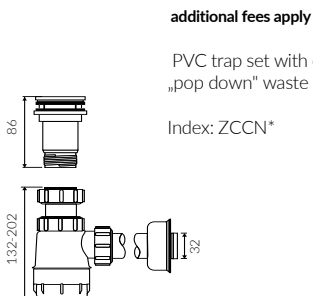


Dimensions specified with tolerance:
to 700 mm (+2 -0)
from 701 to 1200 mm (+3 -0)

PRODUCT COMPATIBLE WITH:



additional fees apply
PVC trap set
with strainer and rubber plug
Index: ZPS*



additional fees apply
PVC trap set with chromed
„pop down“ waste trigger
Index: ZCCN*